

Product list

Recessed socket

Designation:

Type:	STAKOHOME-SV-008	8x socket 230V
Type:	STAKOHOME-SV-008nw	6x socket 230V, 4x RJ45 Cat.6a
Type:	STAKOHOME-SV-106	1x CEE 5/32A 400V, 6x socket 230V
Type:	STAKOHOME-SV-016	1x CEE 5/16A 400V, 6x socket 230V
Type:	STAKOHOME-SV-104L	1x CEE 5/32A 400V, 4x socket 230V, 1x(2x) compressed air

Other types (equipment) on request.

Description:

Recessed socket, protection class IP 65 / IP 44, made of aluminium, mobile up to 6.5 t, surface anodised aluminium. Extension and retraction of the socket is carried out manually using an Allen key in the lid, with the aid of a worm screw thread installed inside the sub-box. Use the cable glands/grommets according to the size/cross section of the installed cable. Secure the cable leads (e.g. with sealing compound) so that the lead is sealed and water/moisture does not get into the socket.

Part of the sub-box is also a heating element.

Supply via 2x cable glands Ø 32 mm and 2x Ø 25 mm. At the bottom of the box there is a hole ready for connection Ø 25mm for water drainage.

Optional: **compressed air** units/vacuum connections and other media according to technical possibilities

Instructions for installation and subsequent use/maintenance: dirt must be removed from the socket regularly, the rubber seal area must be lubricated, otherwise the seal will be lost. The connection may only be made by an authorised electrician. The lid must always be tightened to the stop to ensure that it is properly closed. When opening, also screw out to the stop so that the fixing is carried out. Take care that the cables inside the box do not pass under the worm thread.

Maintenance: the drawer must be regularly checked and cleaned of dirt inside (especially at the bottom of the lid and around the seal. The drawer lid must be closed all the way (for tightness) when closing.



Field of application: Shopping malls, workshops, factories, etc., protection type IP65/IP44.

Technical data:

Material:	aluminium	body
Dimensions:	500x400x251 mm	
Weight:	approx. 25 kg	
Load capacity:	mobile, 6.5 tonnes	
Sockets/equipment:	230V, RJ45, XLR, 400V, air etc.	

stakohome®

Stakohome Network s.r.o.
ID: 27213064, VAT: CZ27213064
tel.: +420 226 517 522
fax: +420 226 517 379
stakohome@stakohome.cz
www.stakohome.cz
www.inteligentni-byt.cz

Billing address: 565 Podnikatelská Street, 190 11 Prague 9,
Běchovice Showroom and delivery address: 934/8 Aloisovská Street, 198 00
Prague 9, Hloubětín

stakohome®

Stakohome Network s.r.o.

ID: 27213064, VAT: CZ27213064

tel.: +420 226 517 522

fax: +420 226 517 379

stakohome@stakohome.cz

www.stakohome.cz

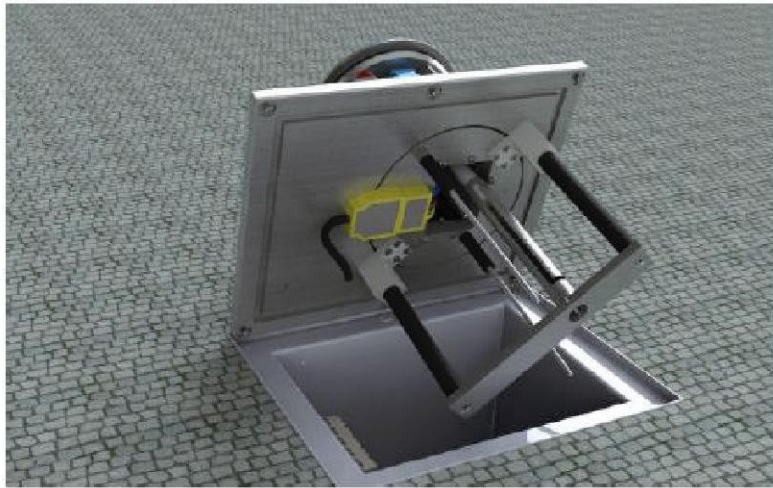
www.inteligentni-byt.cz

Billing address: 565 Podnikatelská Street, 190 11 Prague 9,

Běchovice Showroom and delivery address: 934/8 Aloisovská Street, 198 00

Prague 9, Hloubětín

Fig.: Views inside the sub-box, connections etc..



stakohome®

Stakohome Network s.r.o.
ID: 27213064, VAT: CZ27213064
tel.: +420 226 517 522
fax: +420 226 517 379
stakohome@stakohome.cz
www.stakohome.cz
www.inteligentni-byt.cz

Billing address: 565 Podnikatelská Street, 190 11 Prague 9,
Běchovice Showroom and delivery address: 934/8 Aloisovská Street, 198 00
Prague 9, Hloubětín

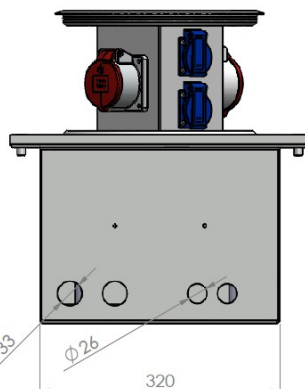
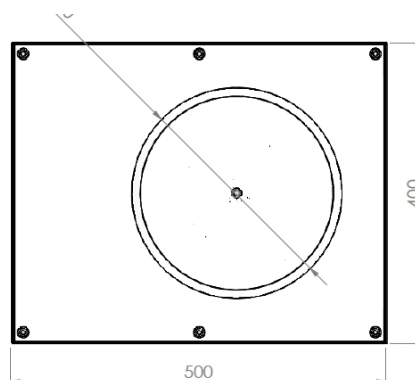
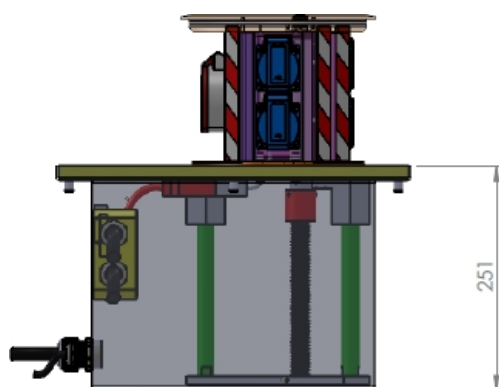
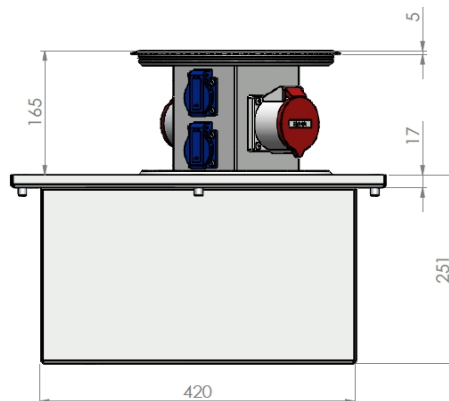
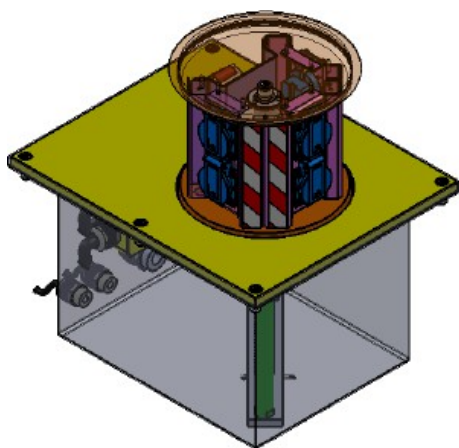
Technical data sheet

Recessed socket

Designation:

Type:	STAKOHOME-SV-008	8x socket 230V
Type:	STAKOHOME-SV-008nw	6x socket 230V, 4x RJ45 Cat.6a
Type:	STAKOHOME-SV-106	1x CEE 5/32A 400V, 6x socket 230V
Type:	STAKOHOME-SV-016	1x CEE 5/16A 400V, 6x socket 230V
Type:	STAKOHOME-SV-104L	1x CEE 5/32A 400V, 4x socket 230V, 2x compressed air

Other types (equipment) on request.



Note: Printing errors and changes reserved

stakohome®

Stakohome Network s.r.o.
ID: 27213064, VAT: CZ27213064
tel.: +420 226 517 522
fax: +420 226 517 379
stakohome@stakohome.cz
www.stakohome.cz
www.inteligentni-byt.cz

Billing address: 565 Podnikatelská Street, 190 11 Prague 9,
Běchovice Showroom and delivery address: 934/8 Aloisovská Street, 198 00
Prague 9, Hloubětín

Assembly design:

Use the Allen screw to unscrew/eject the tube with the sockets. The Allen screw is located in the round part of the tube.

Loosen the M8 fixing screws that are at floor level.

Tip the whole insert to the side and pull it out. Screw in the cable glands and pull the supply cables into the box.

At the bottom of the box there is a Ø 25mm hole for water drainage.

Then level the body in the ground (using a mortar bed), and fix/fill with e.g. mortar (concrete) in position at the same time as the floor. The installation method will be determined by the installer according to the actual floor composition.

Connect the cables to the terminal block. **Next, connect the heating element** that is part of the floor box.

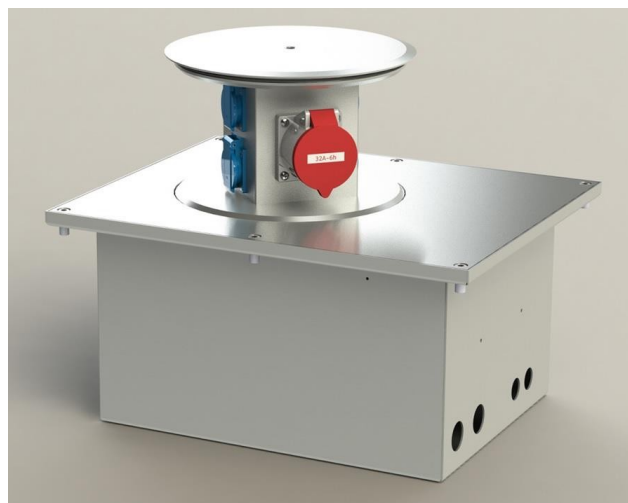
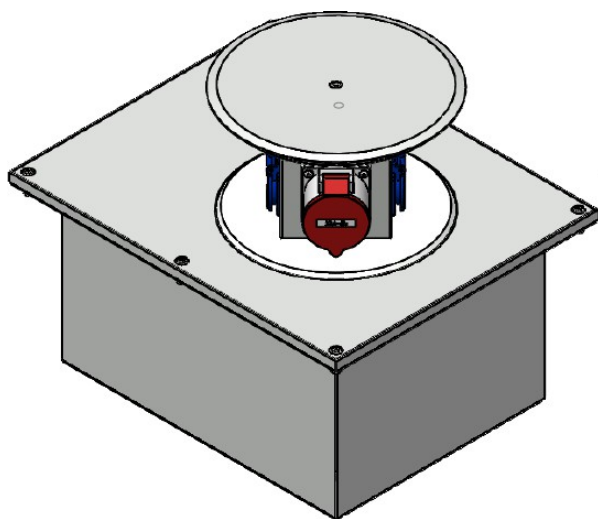
Instructions for connecting the heating element are included in the package of the floor socket.

Screw the floor plate. Be careful that the cables inside the box do not pass under the worm thread. Use cable glands/outlets according to the size/cross section of the cable to be installed.

Secure the cable entries (e.g. with sealing compound) so that the cable entry is sealed and water does not get into the socket.

ATTENTION: The electrical connection may only be made by an expert electrician. Always make the line penetrations watertight.

Material: stainless steel case (1.4301), thickness 2mm. Lid made of solid aluminium, drawer holder made of aluminium.

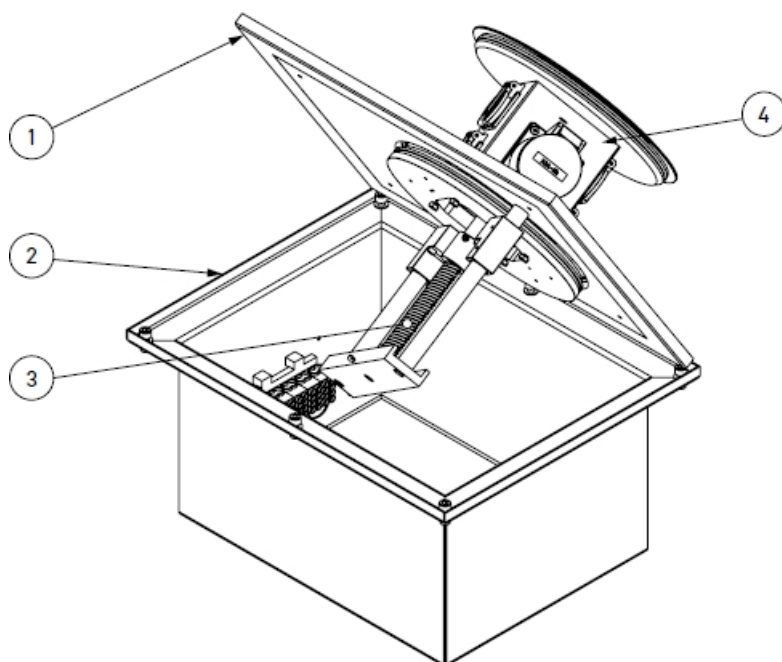


Instruction manual (maintenance mentioned in the introduction):

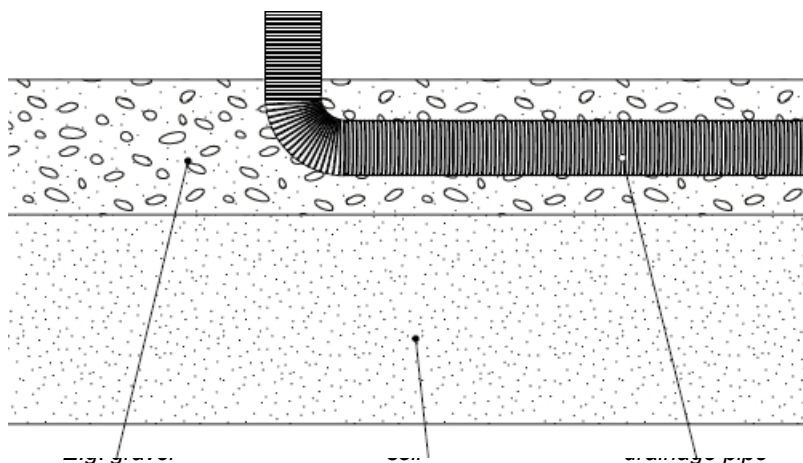
To open, insert the Allen key into the lid (the Allen key hole is located in the round part of the tube/lid) and turn counterclockwise until the entire drawer element is extended, see picture above. When closing, turn the Allen key clockwise until the entire element is pushed in to the stop until it fits into the seal.

stakohome®

Stakohome Network s.r.o.
ID: 27213064, VAT: CZ27213064
tel.: +420 226 517 522
fax: +420 226 517 379
stakohome@stakohome.cz
www.stakohome.cz
www.inteligentni-byt.cz
Billing address: 565 Podnikatelská Street, 190 11 Prague 9,
Běchovice Showroom and delivery address: 934/8 Aloisovská Street, 198 00
Prague 9, Hloubětín



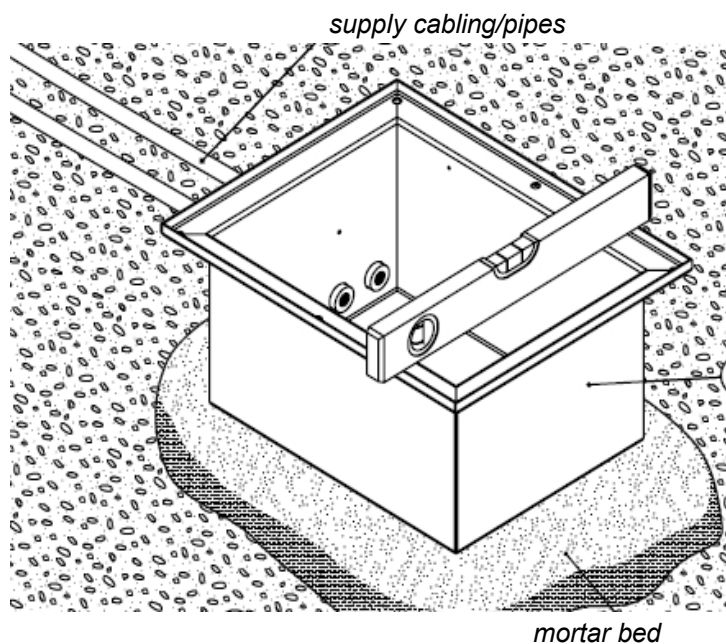
- 1 - top cover plate
- 2 - box
- 3 - thread for pulling out the device carrier (sockets)
- 4 - equipment carrier (sockets)



Using an Allen key, unscrew (in the middle) the device carrier (only partially, so that the upper part can be grasped and pulled out later).

Then use an Allen wrench to unscrew the 6 Allen screws on the top plate and remove the top cover plate from the box, including the device carrier (sockets).

Prepare the drainage pipe and lay in the gravel bed at the installation site and backfill with gravel or similar.



Prepare a mortar bed around the drainage pipe. Attach the drainage pipe to the underground box from below and push and fix the box into the mortar/concrete bed etc. and align with the final surface. Before the mortar/concrete hardens, check the correct position and height (using a spirit level) of the underground floor box to ensure that the box does not shift.

Pull the cables (with sufficient margin) through the cable glands (use cable glands with protection type IP 67/68). Seal the cable gland to ensure watertightness.

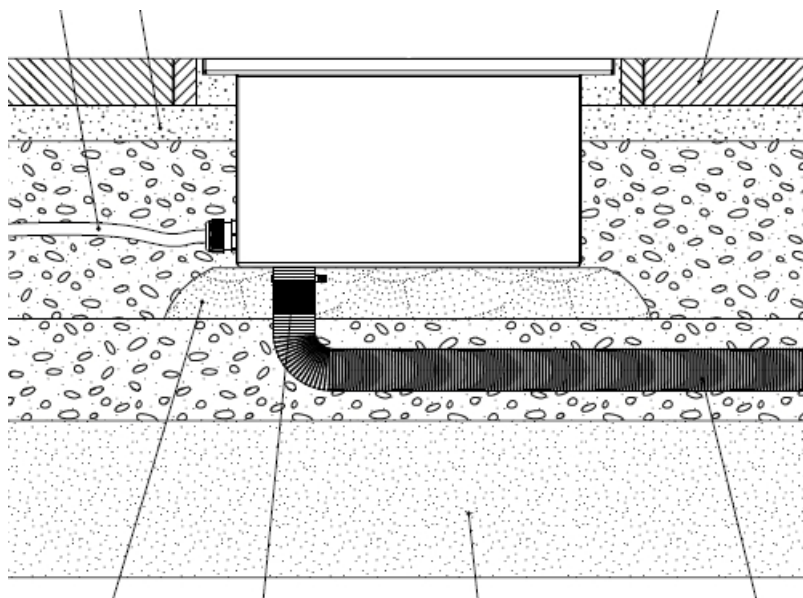
The remainder (around the socket) is then filled with mortar/concrete etc. and filled with another composition e.g. compacted gravel.

Use the cable glands/grommets according to the size/cross section of the installed cable. Secure the cable leads (e.g. with sealing compound) so that the lead is sealed and water/moisture does not get into the socket. The enclosure must be regularly cleaned of dirt, otherwise the type of protection cannot be guaranteed.

supply cables

e.g. compacted

gravel/final surface/pavement etc.



mortar/concrete drainage pipe inletsoil

pipe bed

After the mortar/concrete has cured, attach the individual devices/sockets, screw the top cover plate back into the box and screw in the socket carrier. **Make sure there is no dirt around the sealing surfaces!**

Fill in the floor composition (e.g. compacted gravel) and lay the final floor (tiles, cubes, etc.).

Note: The floor composition is illustrative only. It may vary according to specific conditions and requirements.